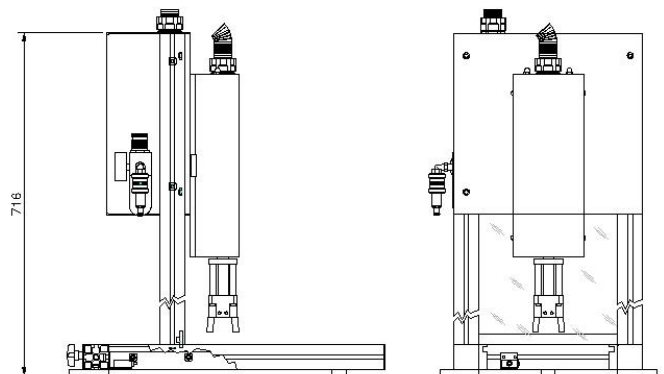
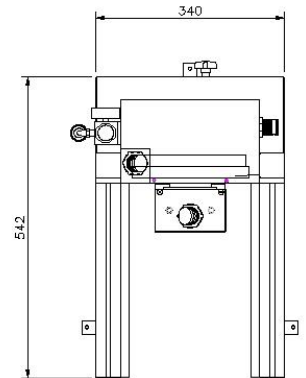


CC1440 – Bench Top Cap Tightening Machine



Cap Coder Ltd enjoys an excellent reputation in various sectors of the Packaging Industry, including pharmaceutical, cosmetic, adhesive, aromatherapy, diagnostic, household goods & food industry. Cap Coder works together with its customers to Design, Build and Develop Machines that convey, plug, cap, orientate and code containers to suit the application required.

The **CC1440** machine is a bench top machine, often considered as one of the best 'Start up' units for customers purchasing their first machine. It is simple to use and set up, and suitable for small batch work and/or experimental work, where the torque accuracy and consistency is more important than the production rate.



Cap	Cap Shape	Any shape considered. Including trigger spray nozzles
	Cap Type	Plastic, metal; screw cap or press on
	Cap Size	Ø10 - Ø100mm (larger to special order)
	Cap Application	Tightening only, torque controllable
Container	Container Shape/Type	Any shape and material type considered
	Container Volume	10ml – 5 litre
	Container Height	Up to 350mm
Electrical Control Option	Electrical Control	Schneider as standard. Client preference as required
	Motor Type	Dunkermotoren
	Drive	Brushless DC servomotor
	Electrical Systems	Schneider, Dunkermotoren
	Electrical Supply	230v Single phase 50Hz
Pneumatic Control Option	Electrical Consumption	Max 0.1Kw
	Motor Type	Ober
	Torque Capacity	0.3 – 5Nm. Depending on motor selection
	Pneumatic Systems	SMC as standard
	Air Pressure	5 bar
Construction	Air Consumption	Notionally 10-20 litre/min (dependent on motor selection)
	Dimensions	340mm(w) x 540mm(d) x 710mm(h)
	Weight	35Kg
	Build Standard	EC Declaration of Conformity. Zone 1 operation fully pneumatic control. Zone 2 Compatible if operationally required. IP 65 rated
Options	Machine Construction	Anodised aluminium extrusion framework, Stainless Steel covers, polycarbonate guarding
	Additional Options	Press head. Twin handed start for additional safety
	Change Parts	Torque head gripping jaws, bottle clamps, product locating jigs and press pads
Production Rate		Operator dependent, up to 12 per minute